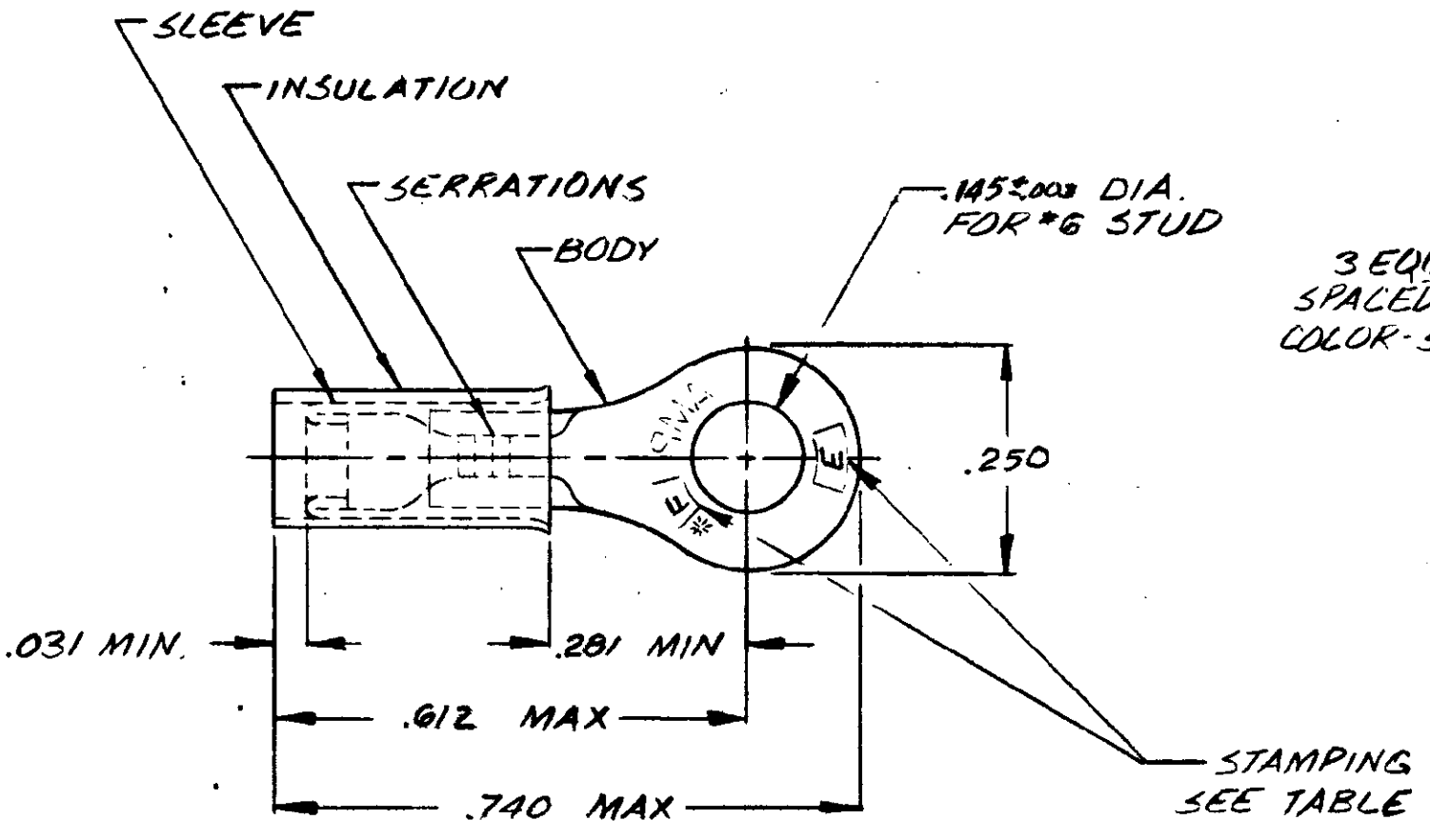
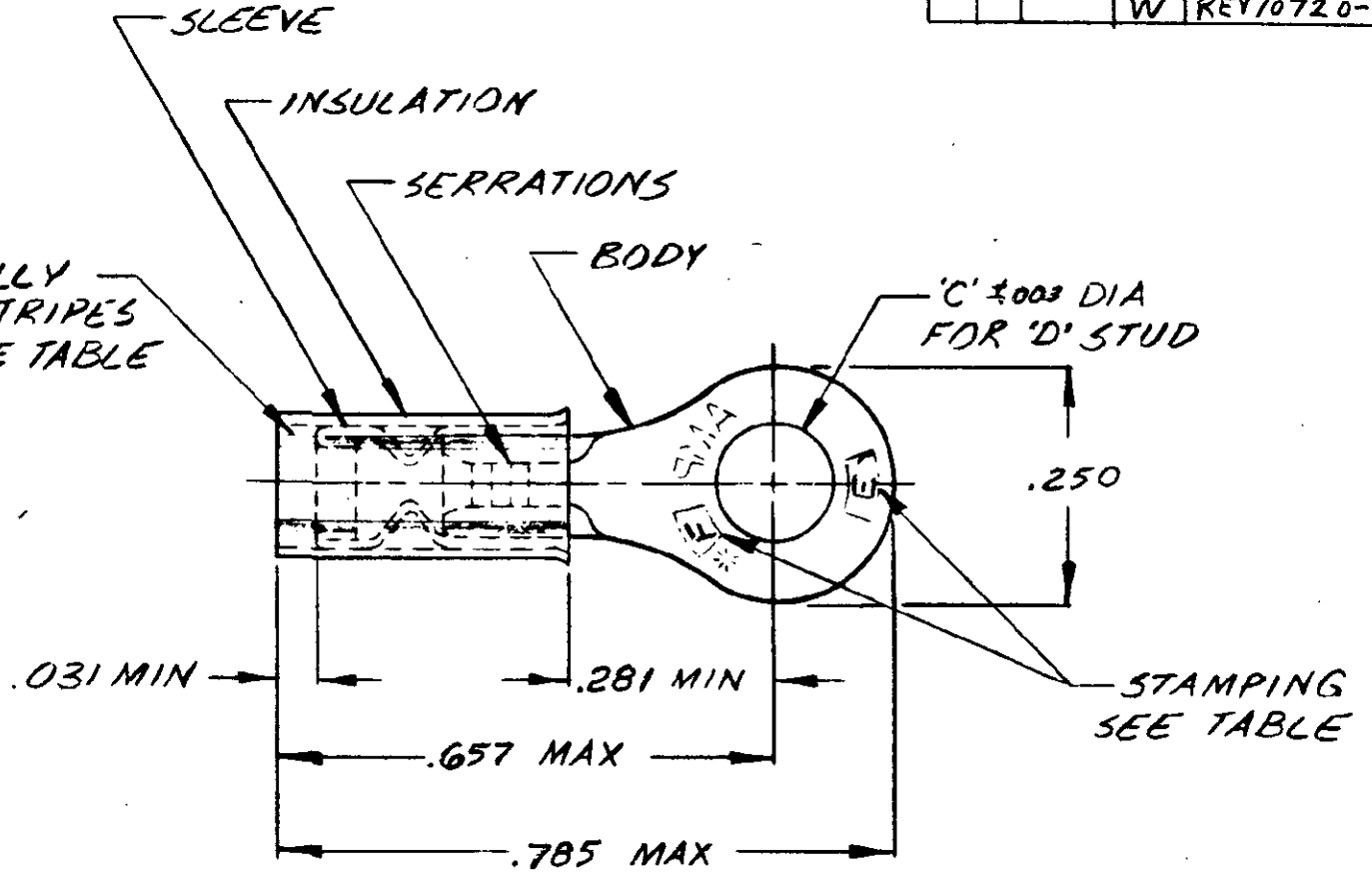


THIS DRAWING IS UNPUBLISHED. RELEASED FOR PUBLICATION, 19
 © COPYRIGHT 19 BY AMP INCORPORATED, HARRISBURG, PA. ALL INTERNATIONAL RIGHTS RESERVED. AMP PRODUCTS MAY BE COVERED BY U.S. AND FOREIGN PATENTS AND/OR PATENTS PENDING.

| REVISIONS | | | | | | |
|-----------|---|------|-----|--|----------|-------------|
| P | F | ZONE | LTR | DESCRIPTION | DATE | APPROVED |
| ✓ | ✓ | | N | REVISED & REDRAWN PER G-1423 & P85-0297 & P85-0298 WAVE SIZE B | 11/31/86 | PJM |
| ✓ | ✓ | | P | OBSOLETE 2-983-0/G-2393 | 2/24/87 | ES |
| ✓ | ✓ | | R | OBS. 2-6 & 2-7 & 2-8 G-2588 BT | 10-12-87 | Pnf |
| ✓ | ✓ | | S | OBS. 2-3 REV. G-4481 | 4-27-88 | TKS/GY |
| ✓ | ✓ | | T | OBS. 2-2, 2-5 G-4550, G-4551 | 9/1/88 | AG |
| ✓ | ✓ | | U | REACT. 2-5 PER G-5054 | 5/10/89 | DKS/GY |
| | | | V | REV/0720-0066-93 | 4-13-93 | TO/ML |
| | | | W | REV/0720-0835-95 | | 29MRR/ME/TM |



STYLE A



STYLE B
INSULATION RESTRICTING

- 1. TONGUE MATERIAL THK - .018 ± .002
- 2. TIN PL MIL-T-10727
- 3. NICKEL PL QQ-N 290

| PART NO | PACKAGE TYPE | QTY | STYLE | E | F | WIRE INS. DIA | STRIPE COLOR |
|-----------------------|----------------------------|-----------------|--------------|---|---|----------------------|--------------|
| 8-326875-1 | LOOSE PC, BOX | 100 | A | | | .050/.082 | |
| 8-326875-2 | ON TAPE, SM BOX | 1000 | A | | | .050/.082 | |
| 2-326875-3 | ON TAPE, LG BOX | 1000 | A | | | .050/.082 | |
| 2-326875-8 | ON TAPE, REEL | 5000 | B | | | .031/.055 | BLUE |
| 2-326875-7 | ON TAPE, REEL | 5000 | B | | | .031/.055 | BLACK |
| 2-326875-6 | ON TAPE, REEL | 5000 | B | | | .031/.055 | BLACK |
| 2-326875-5 | LOOSE PIECE | # | B | | | .031/.055 | BLUE |
| 2-326875-4 | LOOSE PIECE | # | B | | | .031/.055 | BLUE |
| 2-326875-3 | LOOSE PIECE | | B | | | .031/.055 | BLACK |
| 2-326875-2 | LOOSE PIECE | | B | | | .031/.055 | BLACK |
| 2-326875-1 | ON TAPE, REEL | 4000 | A | | | .050/.082 | |
| 326875 | LOOSE PIECE | # | A | | | .050/.082 | |

OBS
OBS
OBS
OBS
OBS
OBS
OBS
OBS

| WIRE SIZE | FINISH | BODY | SLEEVE | MATERIAL | PART NO |
|-----------|--------|------|--------|----------|-------------|
| 26-22 | | | | | 8-326875-1 |
| 26-22 | | | | | 8-326875-2 |
| 26-22 | | | | | 2-326875-3 |
| 24 | | | | | 2-326875-4 |
| 26 | | | | | 2-326875-5 |
| 26 | | | | | 2-326875-6 |
| 24 | | | | | 2-326875-7 |
| 24 | | | | | 2-326875-8 |
| 26 | | | | | 2-326875-9 |
| 26 | | | | | 2-326875-10 |
| 24 | | | | | 2-326875-11 |
| 24 | | | | | 2-326875-12 |
| 26 | | | | | 2-326875-13 |
| 26 | | | | | 2-326875-14 |
| 26-22 | | | | | 2-326875-15 |
| 26-22 | | | | | 2-326875-16 |

| | | | |
|---|-----------------------|--|-------------------------------------|
| UNLESS OTHERWISE SPECIFIED DIMENSIONS ARE IN INCHES. TOLERANCES ON: DECIMALS .003 ANGLES | CONTRACT NO | AMP AMP INCORPORATED Harrisburg, Pa. 17105 | |
| | MATERIAL SEE TABLE | DR P.6/Tag/1 RFB-UTA CHK P. Mutz/alan/11/3/86 APPD Yilai Loan Tran 01/07/86 APPD | NAME TERMINAL, PIDG, RING |
| FINISH SEE TABLE | DSGN APPD | SIZE C | FSCM NO 00779 |
| | OTHER APPD | DRAWING NO 326875 | SHEET |
| | | SCALE NTS | |